

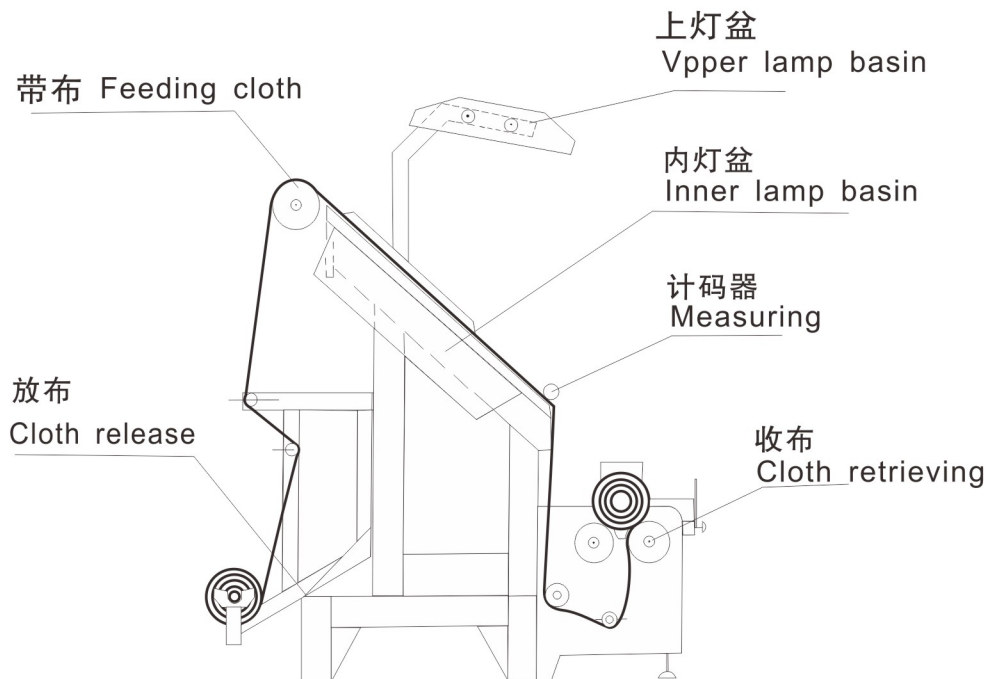
CF-520 厚布料驗布機 (梳織機)
Thick Cloth Checking Machinery



特點 FEATURES

適應于卷各種各樣的布料, 并使彎曲的邊緣保持平整 (可裝附加展布裝置, 此乃選擇性配備);
 配有馬達驅動邊緣控制裝備, 使布邊保持平整, 根據布料不同可調整硬滾動和軟滾動;
 配有記碼器記錄布料的長度;
 配有壓克力檢測板, 熒光燈全照明;
 速度可配合操作予以調整。

Suitable for reeling all kinds of cloth and can make the curved edge coear cut (Optional cloth stretching device can be attached to the machine)
 Motor driven edge control device, which can keep the cloth edge clear cut. For different cloth reelig. Whether hard or soft, either can be devised.
 A measuring counter to record the length is installed
 pressure inspection board installed, and fully fluorescent lit speed adjustable in accordance with operation.



型號	電源電壓	驗布速度	電流	驗布寬度	淨重	機身尺寸
Model	Voltage	Inspeting speed	Current/A	Inspection width	Net weight	Dimension
CF-520	220V	0-35碼/分鐘 (code/min)	7A	1800mm	400Kg	253x148x180cm